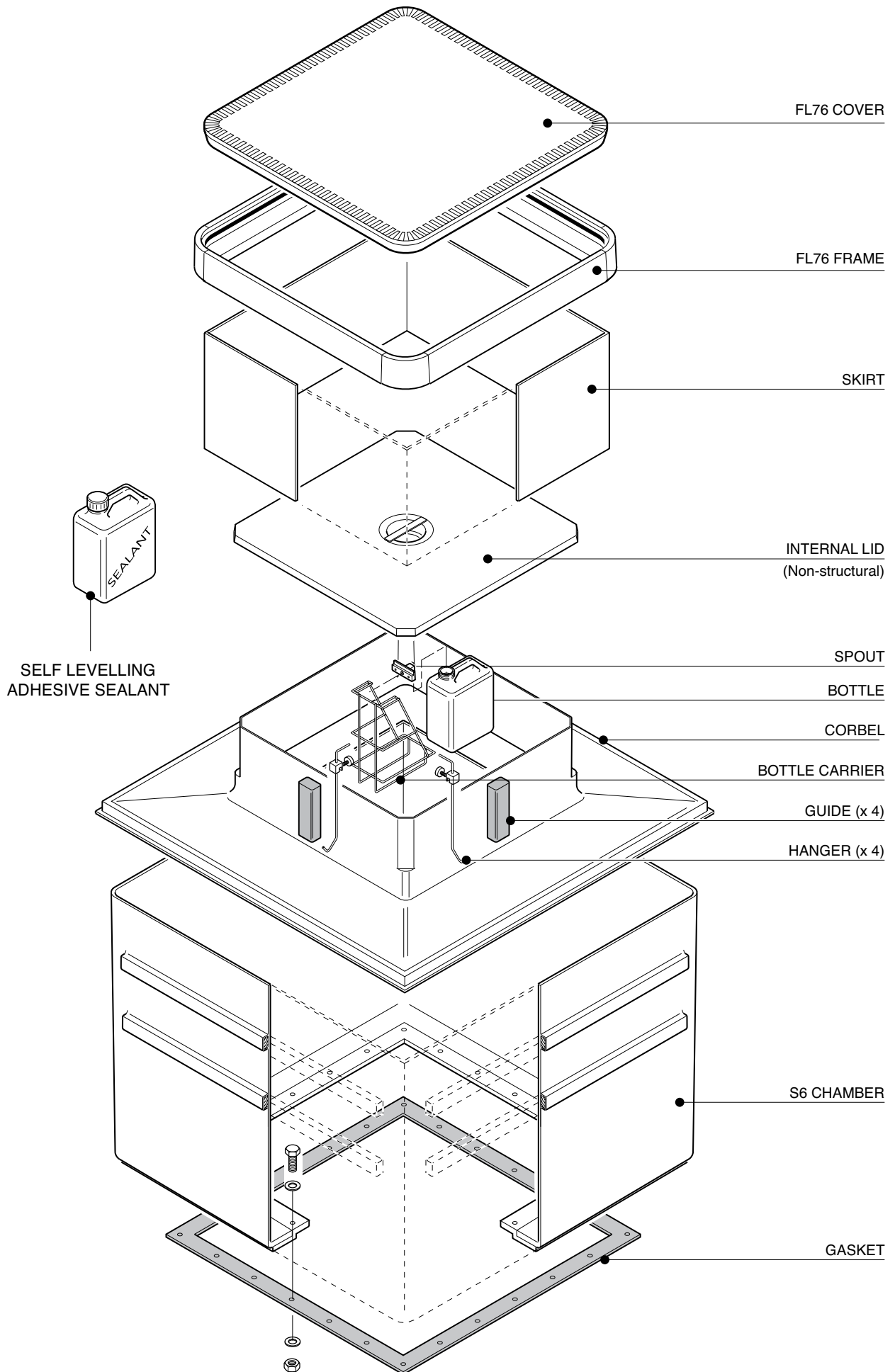


1.2m square bolted base chamber with a corbel, internal lid, adjustable skirt and square 760mm flat sealed cover. (1m square tank flange connection).

For reference purposes only. This drawing is not a specification. Order against product code only. To enable continuous improvement of our products, the designs and specifications are subject to change without notice.

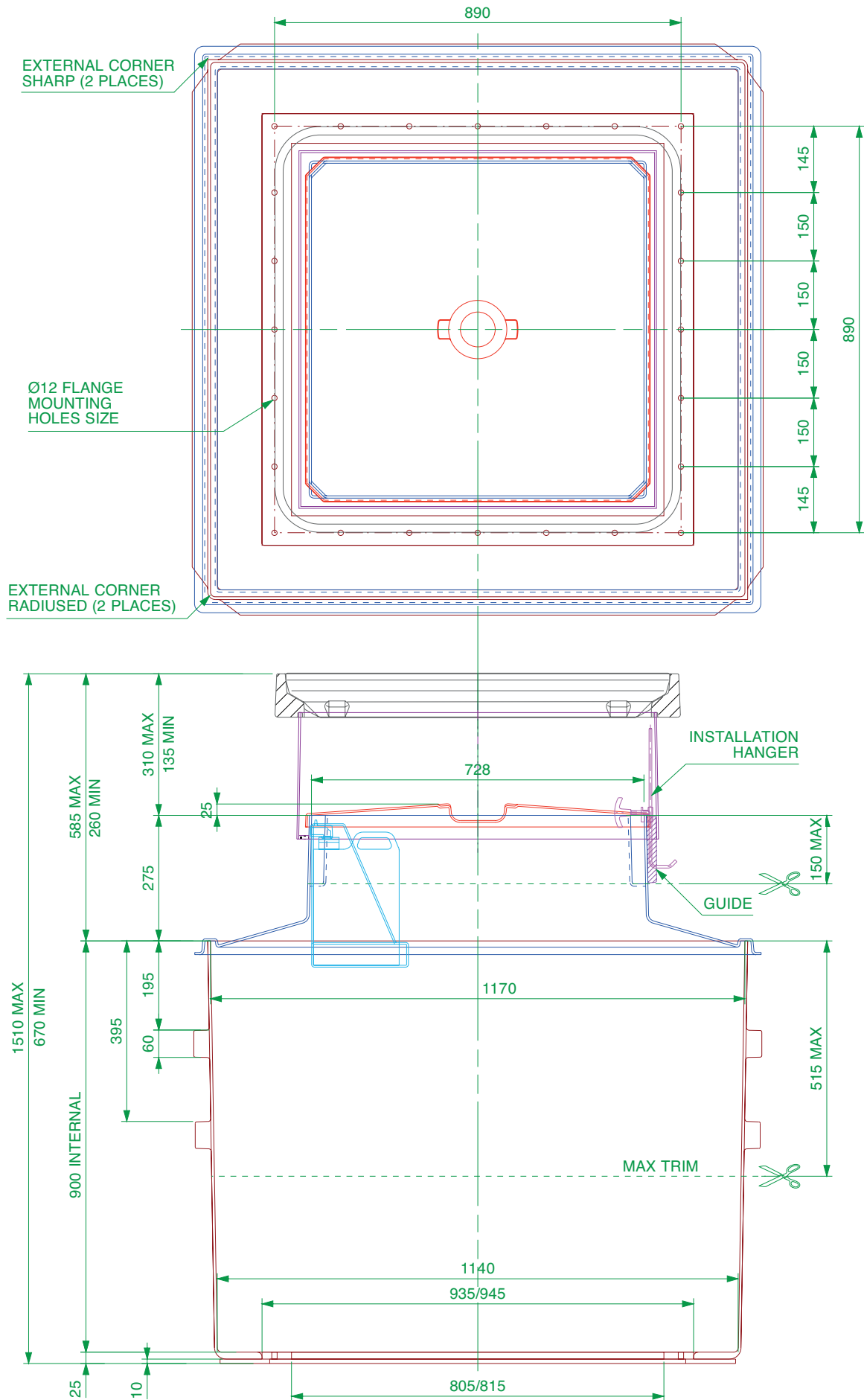
**FIBRELITE**   
PART OF OPW A DOVER COMPANY



1.2m square bolted base chamber with a corbel, internal lid, adjustable skirt and square 760mm flat sealed cover. (1m square tank flange connection).

For reference purposes only. This drawing is not a specification. Order against product code only. To enable continuous improvement of our products, the designs and specifications are subject to change without notice.





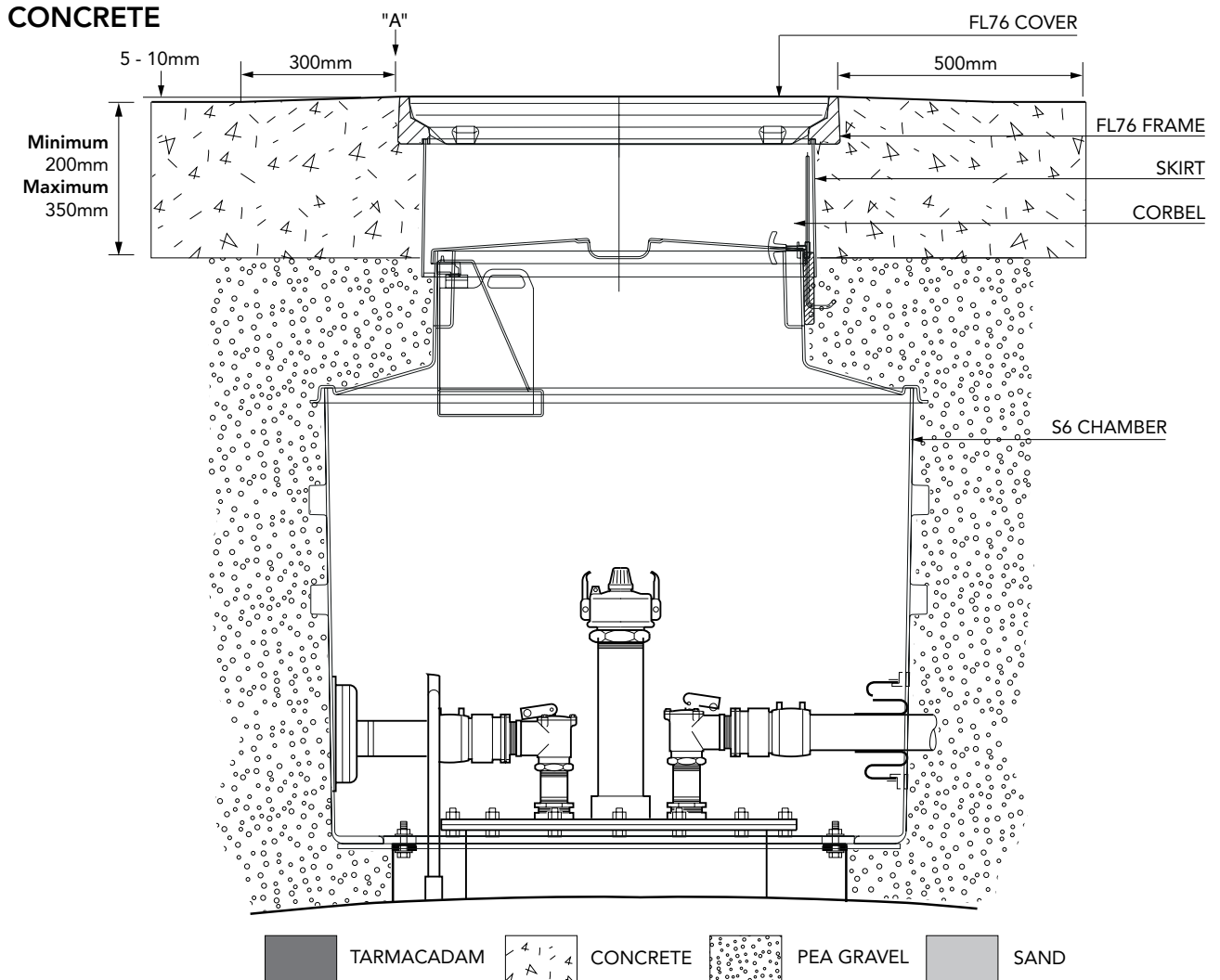
1.2m square bolted base chamber with a corbel, internal lid, adjustable skirt and square 760mm flat sealed cover. (1m square tank flange connection).

For reference purposes only. This drawing is not a specification. Order against product code only. To enable continuous improvement of our products, the designs and specifications are subject to change without notice.

**FIBRELITE**   
PART OF OPW A DOWDER COMPANY

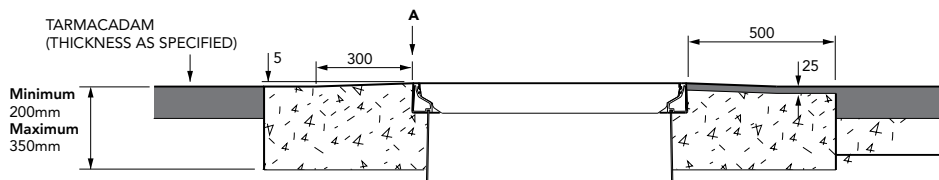
**VERY IMPORTANT**  
 OUTER EDGE "A" OF FRAME SET 5 - 10MM  
 ABOVE GENERAL FORECOURT AREA WITH  
 CONCRETE RAMPED AWAY OVER 300MM.

**TYPICAL INSTALLATION**

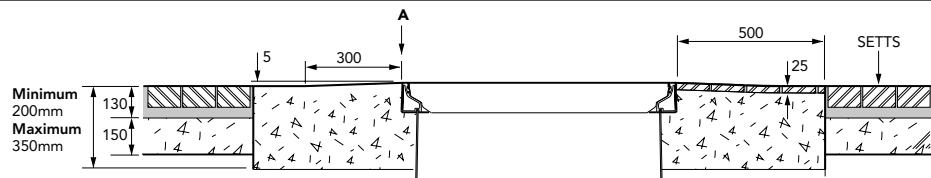


**ALTERNATIVE INSTALLATION ADVICE**

**TARMACADAM**



**SETTS**



1.2m square bolted base chamber with a corbel, internal lid, adjustable skirt and square 760mm flat sealed cover. (1m square tank flange connection).

For reference purposes only. This drawing is not a specification. Order against product code only. To enable continuous improvement of our products, the designs and specifications are subject to change without notice.

**FIBRELITE**   
 PART OF OPW A DOVER COMPANY