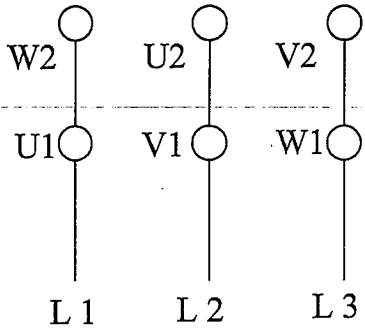
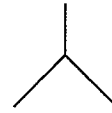
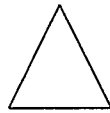
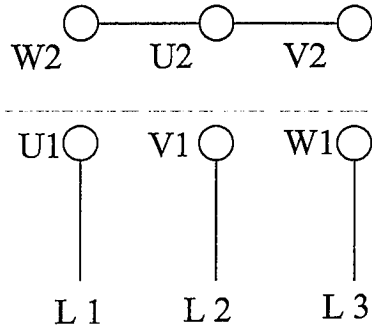


Motor Terminal Connections

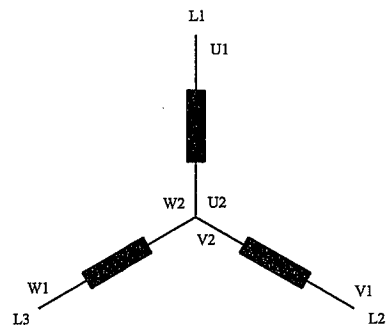
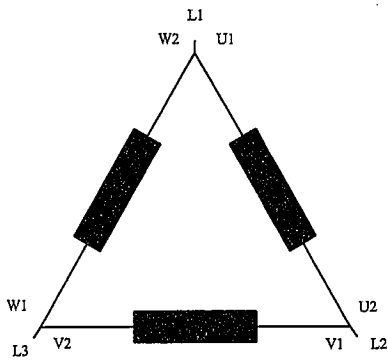
Lower Voltage




Higher Voltage



Winding Configuration



Revision	Modification Summary		Executed	Liberated
Executed	TMP	Customer Name		
Liberated	MD			
Date	26/02/04			
Title			Drawing Number	
Wiring Diagram 3ph DOL			1-0001	

J
I
H
G
F
E
D
C
B
A