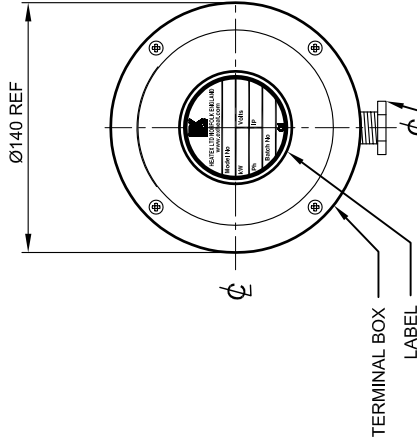
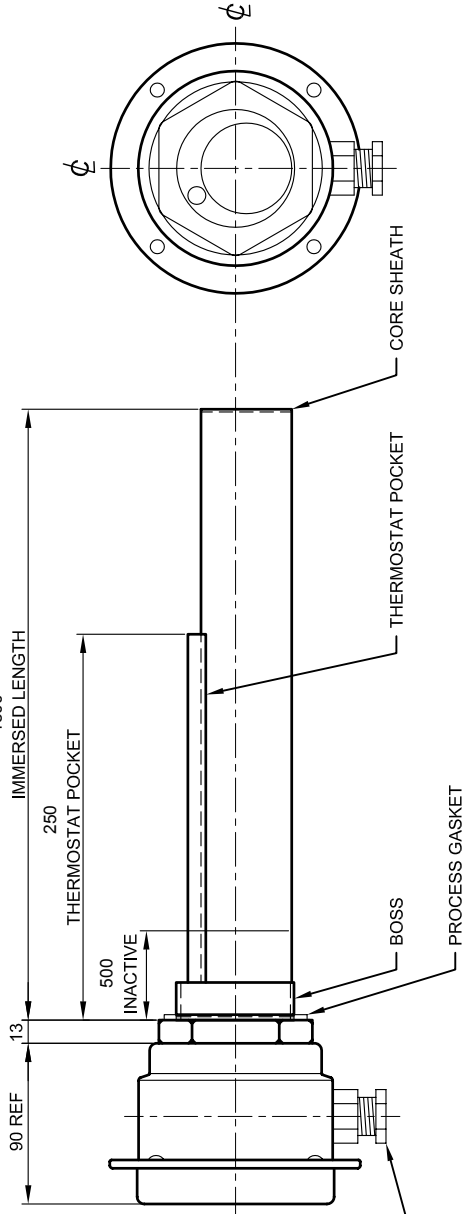


**VIEW FROM TERMINAL BOX END**

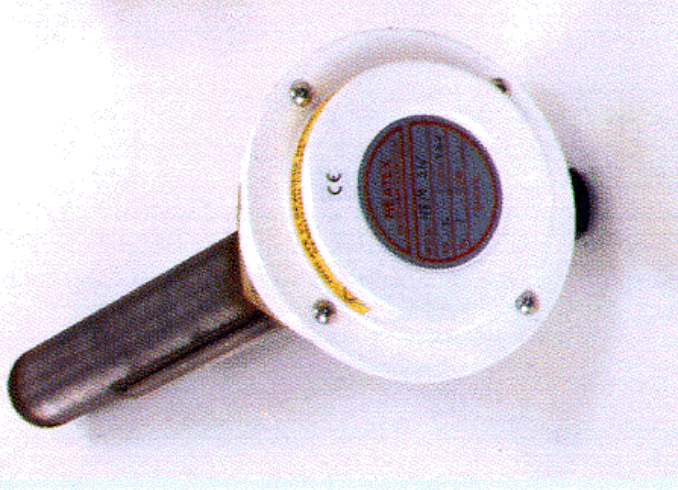


CABLE GLAND 1x M25  
SEE NOTE 9

**VIEW FROM PROCESS END**



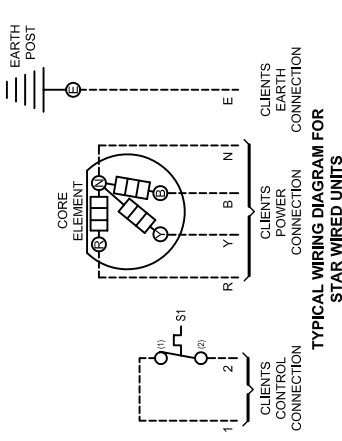
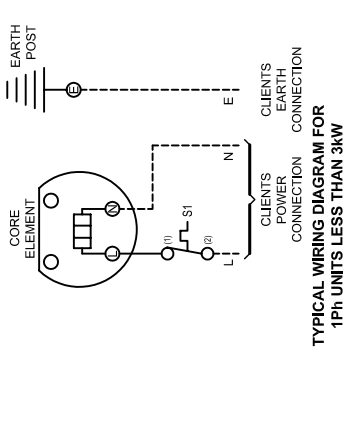
**ILLUSTRATION**



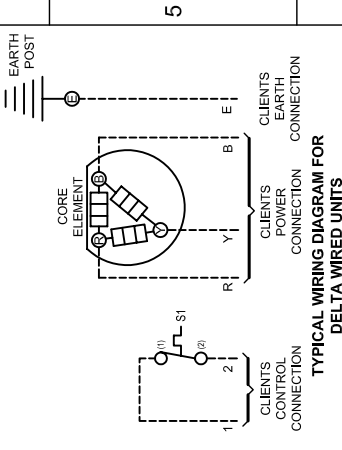
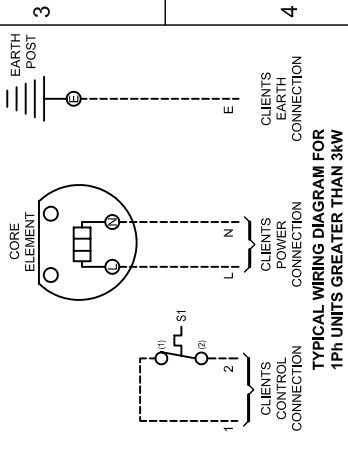
**NOTES**

1. RATING: 5KW
2. SUPPLY: 240/415V, 1/3PH, 50HZ
3. MATERIAL:  
ELEMENT ~ CERAMIC CORE TYPE HOUSED IN Ø2" MILD STEEL EXTENDED SURFACE SHEATH  
THERMOSTAT POCKET ~ STAINLESS STEEL  
TERMINAL BOX ~ MILD STEEL TO IP66
4. PROCESS FIXING: 2" BSP BRASS BOSS
5. 1x CONTROL THERMOSTAT: STEM TYPE AUTO-RESET SCALED @ +5/+80°C
6. FINISH: TERMINAL BOX WHITE NYLON. REMAINDER NATURAL.
7. MAX WORKING PRESSURE 3.5 BAR.G.
8. WHEN THERMOSTAT & POCKET IS NOT FITTED, CORE SHEATH IS FITTED CONCENTRIC IN BOSS.
9. 1x M25 CABLE GLAND IS SUITABLE FOR Ø12mm-Ø18mm CABLE.
- 10.

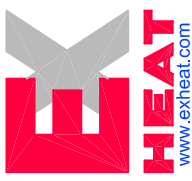
**WIRING DIAGRAM**



**WIRING DIAGRAM**



|      |             |          |     |      |      |
|------|-------------|----------|-----|------|------|
| REV. | COMMENTS    | DATE     | BY  | CHKD | APPR |
| 1    | FIRST ISSUE | 20/10/03 | MJP |      |      |



**HEATEX LTD**  
NORFOLK ENGLAND

ISO 9001  
HEATEX LTD  
NORFOLK ENGLAND  
CERTIFIED TO  
BSI

THE HEAT EXCHANGER MANUFACTURERS ASSOCIATION

Certificate No. FM 28078

|                                    |              |
|------------------------------------|--------------|
| SCALE                              | NOT TO SCALE |
| 3/4" ANGLE PROJECTION              |              |
| TOLERANCES UNLESS OTHERWISE STATED |              |
| 0                                  | ± 0.5mm      |
| 0.0                                | ± 0.25mm     |
| 0.00                               | ± 0.1mm      |
| ANGULAR                            | ± 2'         |

|                    |   |
|--------------------|---|
| TITLE              | HB SERIES SINGLE CORE TYPE IMMERSION HEATER GENERAL ARRANGEMENT |
| STOCK CODE NO.     | HEATEX DRAWING NO.  |
| HEATEX DRAWING NO. | HBX570BV  |
| SHEET NO.          | 01 of 01  |
| REV                | 01  |

PRODUCT: HB SERIES SINGLE CORE TYPE IMMERSION HEATER  
FORMAT: PDF