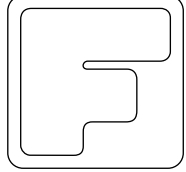
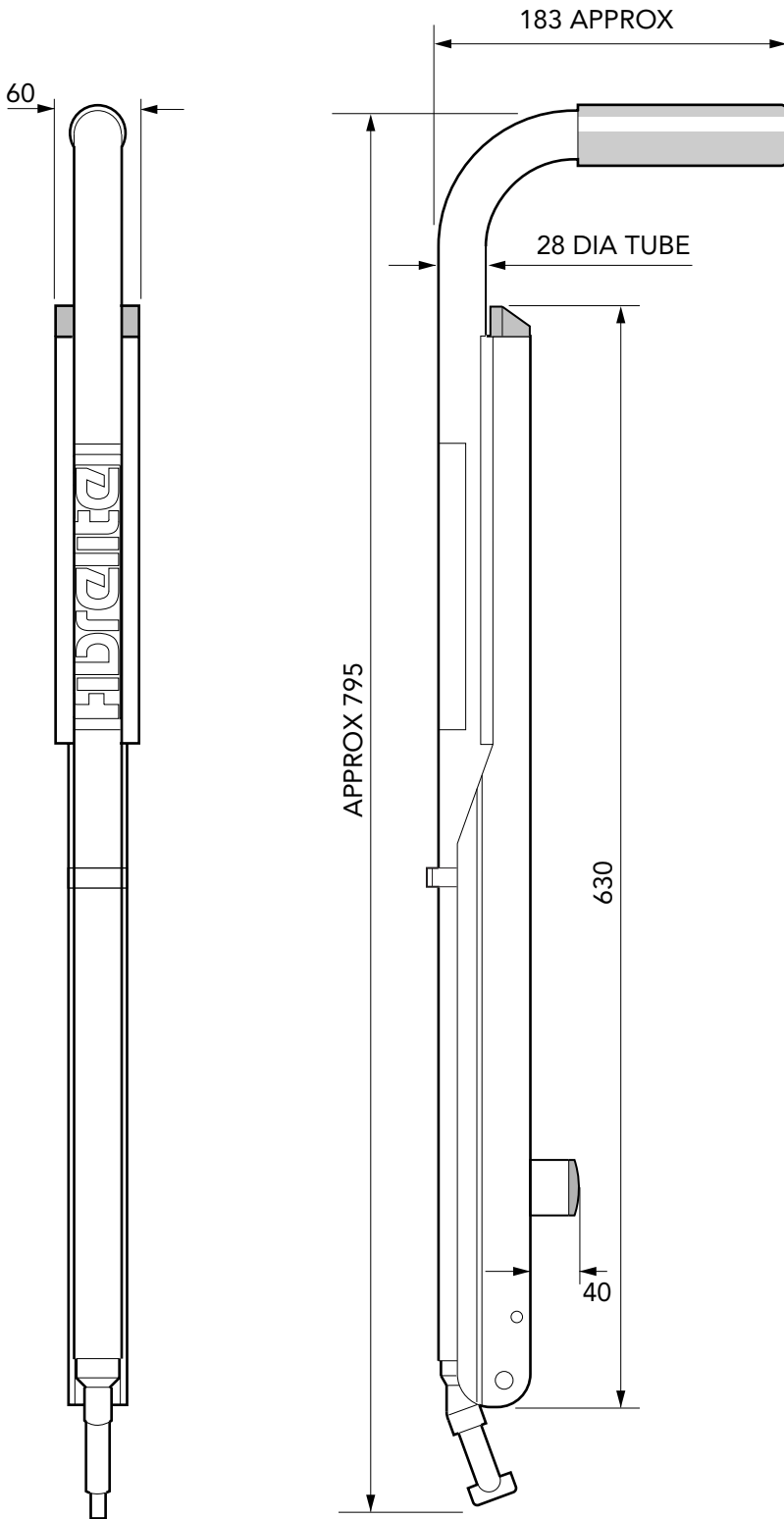


Notes:	Category: LIFTING AIDS	 FIBRELITE	
	Product Description: FL7A Lifting Handle (assisted)		
For reference purposes only. This drawing is not a specification.	Drawing No: 15071		Product Code: FL7A
	Date: July 2000		Revisions: 0



Notes:

Category: **LIFTING AIDS**

Product Description: **FL7A Lifting Handle (assisted)**

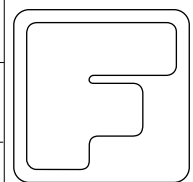
For reference purposes only.
 This drawing is not a specification.

Drawing No: **15072**

Date: **July 2000**

Product Code: **FL7A**

Revisions: **0**



FIBRELITE