

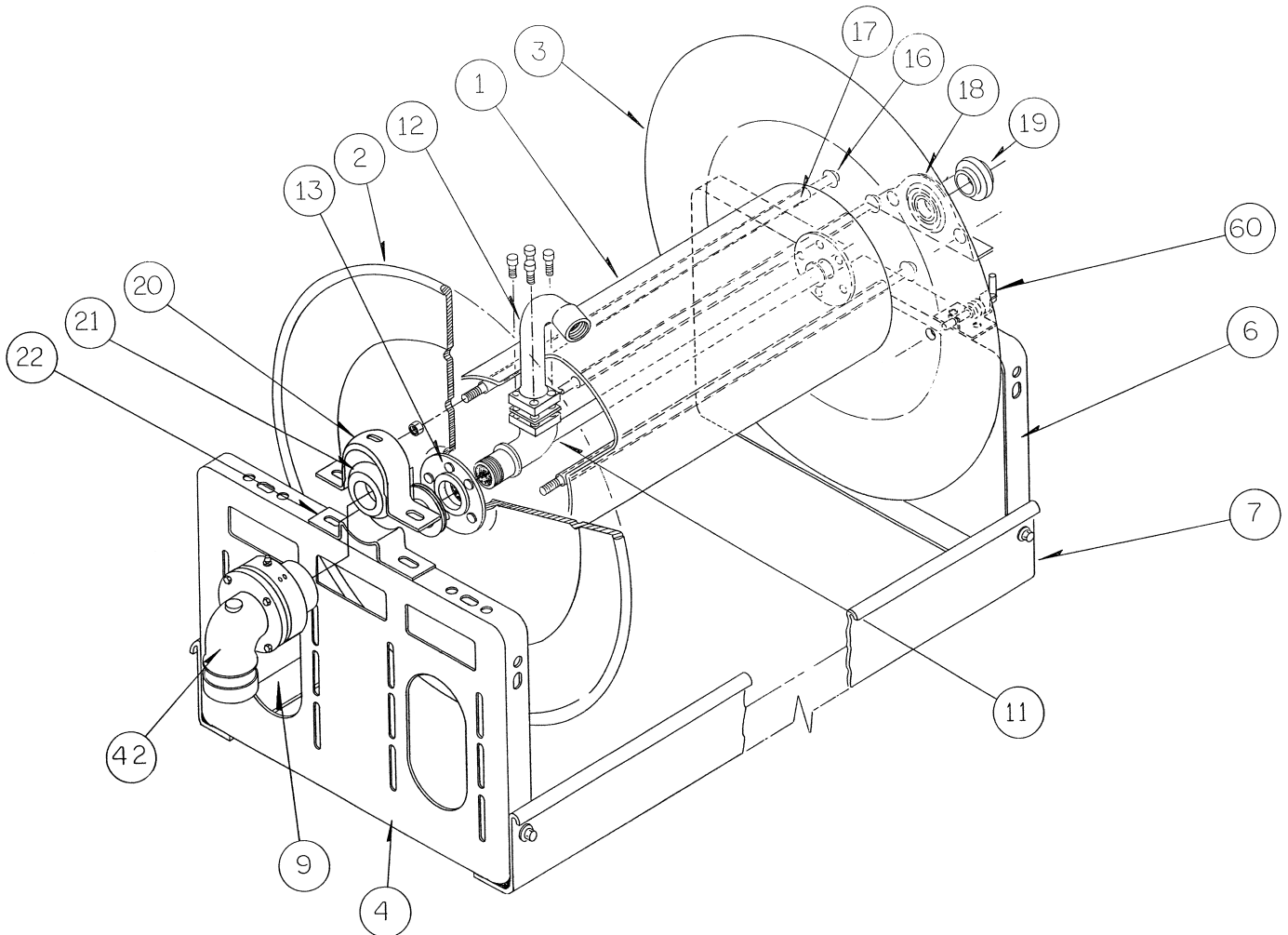


Hannay Reels®

The reel leader.

Hannay Reels, Inc., 553 State Route 143
Westerlo, NY 12193-0159
Telephone 518-797-3791 • Toll Free 1-877-GO REELS (467-3357)
FAX 1-800-REELING (733-5464)
INT'L FAX (518) 797-3259
Website: www.hannay.com
E-mail: reels@hannay.com

ISO 111 PARTS LIST SERIES 3500/3600 REELS



When ordering parts

**BE SURE TO SPECIFY COMPLETE MODEL NUMBER and SERIAL NUMBER OF REEL.
USE PART NUMBER!**

<u>Item No.</u>	<u>Description</u>	<u>PART NUMBER</u>	<u>Quantity</u>
1	Drum, 10-1/2" DiameterSpecify Model	9905.3131	1
2	Front Disc, 24-3/4" Diameter (25-26)	9903.1321	1
2	Front Disc, 28-3/4" Diameter (30-31)	9903.1621	1
2	Front Disc, 31-3/4" Diameter (33-34)	9903.1831	1
3	Back Disc, 24-3/4" Diameter (25-26).....	9903.1321	1
3	Back Disc, 28-3/4" Diameter (30-31).....	9903.1621	1
3	Back Disc, 31-3/4" Diameter (33-34).....	9903.1831	1
4	Front Frame	9906.5031	1
6	Back Frame	9906.5031	1
7	Front Foot	Specify Model	1
9	Back Foot	Specify Model	1
11	1-1/2" Flanged Hub	9901.3640	1
12	1-1/2" Flanged Riser with Mounting Bolts	Specify Threads	1
13	EH-936 Washer	9965.0015	2
16	3/8" Carriage Bolt	Specify Model	6
17	3/8" Spacer Pipe.....	Specify Model	6
18	1" S.A. Back Bearing Complete.....	9902.1400	1
19	1" S.A. Back Bearing Insert Only	9902.1500	1
20	1-1/2" Bearing Holder, Top Strap.....	9902.2955	1
21	1-1/2" Front Bearing Insert Only, Bronze.....	9902.1700	1
22	1-1/2" Bearing Holder, Bottom Strap	9902.2950	1
42	Swivel Joint, WHJ1590 Joint	9930.4210	1
55	Removable Hand Crank (not shown)	9914.0031	1
60	Pinlock.....	9965.0030	1