

## Remote Indicating Tank Contents Gauge EXTERNAL Transmitter



### Mostly used to measure:

Fuel oil	Diesel	Kerosene
Paraffin	Lube oil	
Chemical process plant	Corrosive liquids	
Printing inks	Potable water	

### Principals of operation

The Instrument operates on the hydrostatic principal, where pressure due to head of liquid is sensed by the Transmitter Head and transmitted via a capillary tube to the indicator giving a continuous level reading.

The gauge is suitable for installation on any shape or size of storage vessel that is freely vented to atmosphere.

### Installation

The transmitter is fitted at any suitable position near the base of the tank, and the indicator shows the contents of liquid above the transmitter.

Indicators are graduated to customer requirements, fractions, 0-100%, litres, gallons, tons or m3 etc. Dial sizes 100mm or 160mm. Questionnaire Q28 must be completed.

### Specifications Indicator

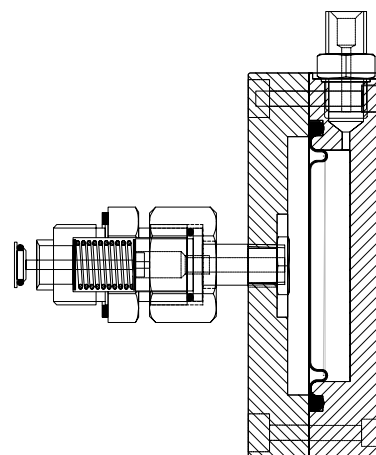
Mounting:	Surface as photo or Flush Panel
Accuracy:	1%
Case & Bezel:	304 St. St Bayonet locking bezel
Measuring Element:	Phosphor Bronze
Movement:	Brass
Dial:	White Aluminium with black markings
Pointer:	Black Oxidised Aluminium
Window:	Glass/Clear Acrylic
Gasket Seal:	Food Quality Rubber

This instrument can be fitted with a variety of transmitters as shown below, different applications require different solutions, please contact us for advice.

### Transmitters available:

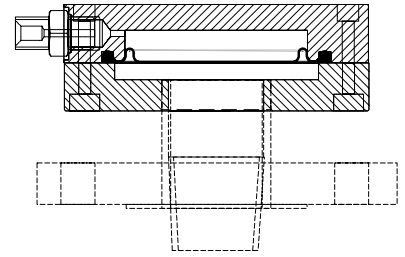
#### Type BRP Standard

Body:	Black Acetal
Connection:	3/4" bsp Brass self-closing valve
Sensing Element:	Nitrile/Hydrin diaphragm
Capillary:	2mm o.d. copper microbore tube with 9mm o.d. solid black PVC protection sheath.



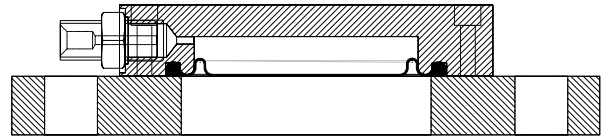
### Type BPT (Threaded) or BPF (Flanged)

Body: Black Acetal  
Connection: PVC or ABS threaded or flanged to suit customer requirements  
Sensing Element: Nitrile/Hydrin diaphragm  
Capillary: 2mm o.d. copper microbore tube with 9mm o.d. solid black PVC protection sheath



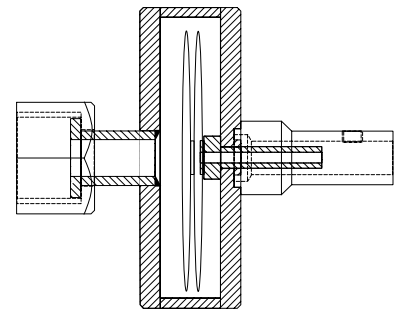
### Type BFD Flush Diaphragm Flanged DN80 PN 25

Body: Black Acetal  
Connection: 316 Stainless Steel flange to suit customer requirements  
Sensing Element: Flush Nitrile/Hydrin diaphragm  
Capillary: 2mm o.d. copper microbore tube with 9mm o.d. solid black PVC protection sheath



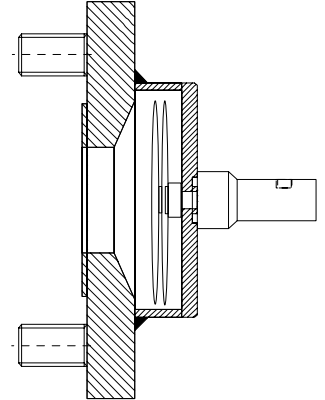
### Type BST Stainless Steel

Body: 316 Stainless Steel  
Connection: 3/4" bsp Stainless Steel Female nut & tail or 1/2" bspt St St stud compression fitting  
Sensing Element: 316 Stainless Steel Capsule  
Capillary: 2mm o.d. copper microbore tube with 9mm o.d. solid black PVC protection sheath **or** 8mm O.D. St St armoured



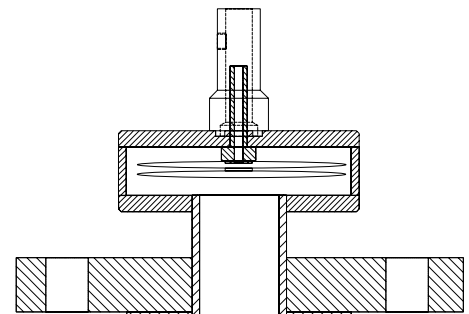
### Type BSF Stainless Steel Flanged >= DN50

Body: 316 Stainless Steel  
Connection: 316 Stainless Steel flange to suit customer requirements  
Sensing Element: 316 Stainless Steel Capsule  
Capillary: 2mm o.d. copper microbore tube with 9mm o.d. solid black PVC protection sheath **or** 8mm O.D. St St



### Type BSF Stainless Steel Flanged <DN50

Body: 316 Stainless Steel  
Connection: 316 Stainless Steel flange to suit customer requirements  
Sensing Element: 316 Stainless Steel Capsule  
Capillary: 2mm o.d. copper microbore tube with 9mm o.d. solid black PVC protection sheath **or** 8mm O.D. St St



Manufactured by

**T. J. Williams Ltd**

Wimborne Road, Barry, Vale of Glamorgan CF63 3DH  
Tel. 01446 729200 Fax. 01446 739281